



## Stainless Steel Globe Valve – Flanged PN16 / ANSI 150

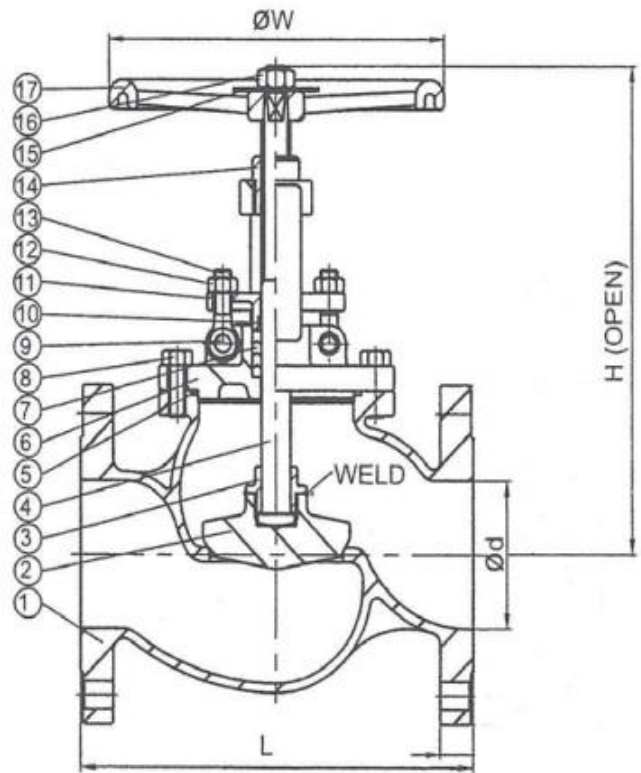
Stainless Steel Body, Bonnet & Disc,  
Rising Stem, Handwheel Operated



Pressure/Temperature Ratings	
Max Pressure	PN16 / CL 150 Rated
Temperature	-20°C to 180°C

Test Pressure	
Shell (by Hydraulic)	450 PSI 32kg/cm <sup>2</sup>
Seat (by Hydraulic)	315 PSI 22kg/cm <sup>2</sup>
Seat (by Pneumatic)	80 PSI 6kg/cm <sup>2</sup>

Material List		
1	Body	SCS14/CF8M
2	Disc	SCS14/CF8M
3	Disc Cover	SCS14/CF8M
4	Stem	SS316
5	Gasket	PTFE
6	Bonnet	SCS14/CF8M
7	Gland Packing	PTFE
8	Bonnet Bolt	ASTM 193-B8
9	Hinge Pin	SS304
10	Sleeve	PTFE
11	Gland	CF8
12	Nut	ASTM 193-B8
13	Eye Bolt	ASTM 193-B8
14	Yoke Sleeve	Bronze
15	Name Plate	SS304
16	Nut	ASTM 193-B8
17	Handwheel	FCD400



Dimensions				
DN	d	L	H	W
1"	25	127	173	140
1½"	40	165	200	160
2"	50	203	230	200
2½"	65	216	243	200
3"	80	241	286	250
4"	100	292	325	250